

1	2	3	4
RevNo	Revision note	Date	Signature
			Checked

A

A

B

B

C

C

D

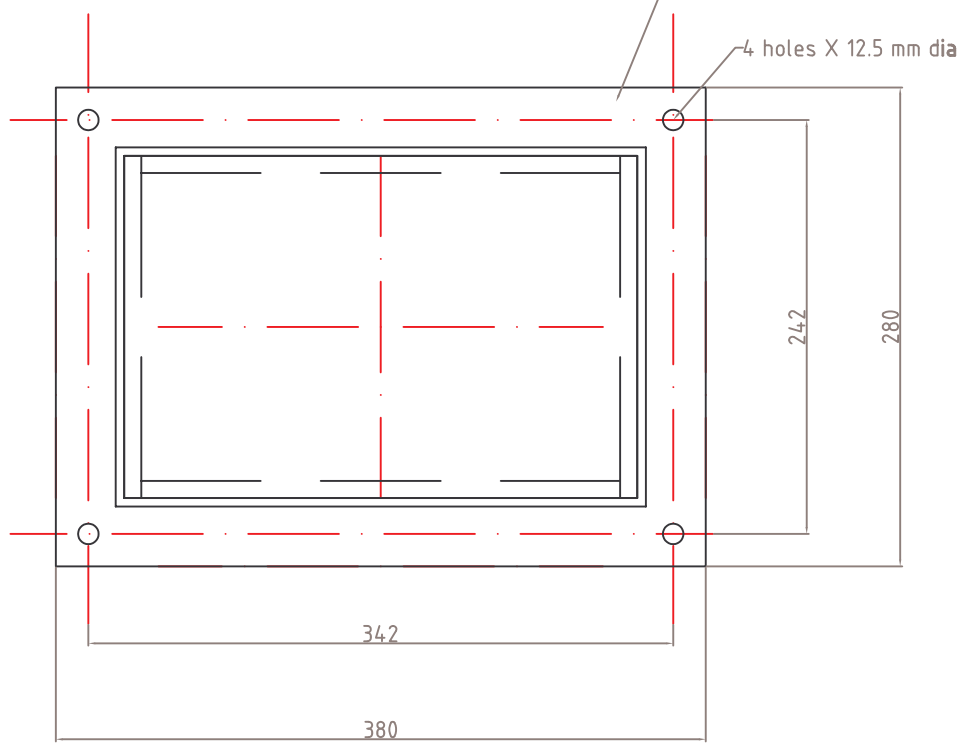
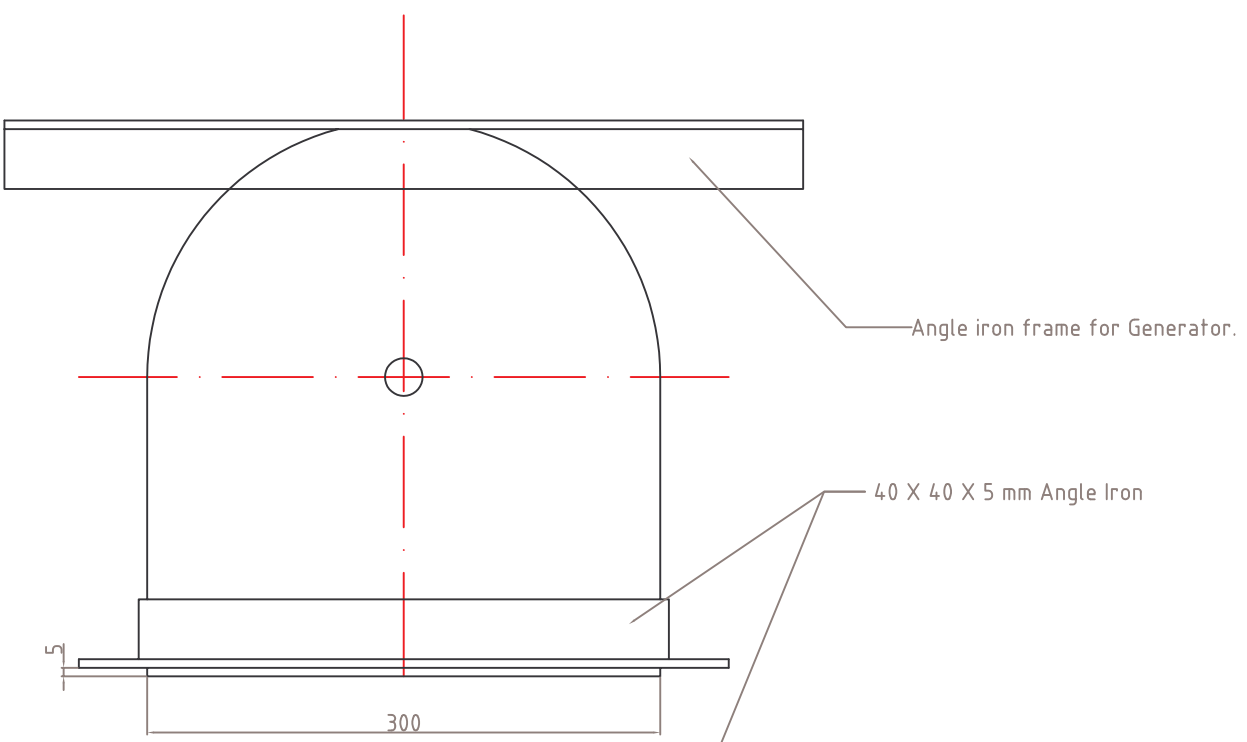
D

E

E

F

F



Itemref	Quantity	Title/Name, designation, material, dimension etc			Article No./Reference	
Designed by Rams	Checked by XXX	Approved by - date XXX - 00/00/00	File name casing-dominica	Date 15/03/04	Scale 1:1	
Sahyadri Energy Systems			Casing-overall			
			x			Edition 0